

# PULSAR CHROMAAR111 RANGE DATASHEET



CHROMAAR111 TRICOLOUR



CHROMAAR111 WITH  
OPTIONAL MOUNTING BRACKET



CHROMA AR111 SINGLE COLOUR  
HIGH BRIGHTNESS NEUTRAL WHITE

17 Watts	24V DC	IP66	0.9 kg 1.8 lbs	+50°C to -20°C	+122°F to -4°F	
5 3W LEDs	100,000h Dynamic	25,000h Full On	3 LED Options	Custom Population	6 Lens Options	
+10V Input	Smooth Dimming	Flicker Free	Thermal Management	Chroma Zone Driven		
Anodised Metalwork	Exterior Powder Paint	3 Paint Finishes	Custom Colours	Optional Bracket	5m ChromaFlex	16.4' ChromaFlex
UK Made	CE Marked	3 Year Guarantee				

## ChromaAR111 Luminaire

- Compact, low voltage, weather-proof and stylish luminaires for entertainment and architectural applications.
- 5 High efficiency 3 Watt LEDs driven by Pulsar's advanced 100% flicker-free electronics for ultra smooth dimming and colour control.
- Choice of 3 LED type populations, from high efficiency single colour to our flagship TriColour RGB colour mixing technology.
- Single Colour HP models provides extra high efficiency and output.
- Available in Black, Silver and White finishes as standard, with custom colours available to special order.
- Many lenses options provide great flexibility with choice of 8°, 25°, 45°, 10x35°, 10x90° or 90° (No Lens) beam angles.



Featured products: ChromaAR111



### Pulsar Light of Cambridge Ltd

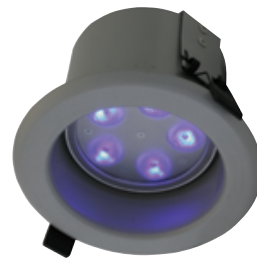
3 Coldhams Business Park, Norman Way, Cambridge CB1 3LH  
www.pulsarlight.com | sales@pulsarlight.com | +44 (0) 1223 403 500

CHROMAAR111 DATASHEET | 1  
ISSUE DATE | JUNE 2014

# PULSAR CHROMAAR111 RANGE DATASHEET



CHROMAAR111 TRICOLOUR WITH  
HEMISPHERICAL DOME



CHROMAAR111 FLUSH



CHROMAAR111 PAR36 CAN



CHROMAAR111 ANGLEFLUSH

## ChromaAR111 Luminaire

- Compact, low voltage, stylish luminaires for Architectural and Entertainment applications.
- Five high luminosity 3 Watt LEDs driven by Pulsar's advanced flicker-free electronics for ultra-smooth dimming and colour control.
- Choice of 3 LED type populations: Single Colour, Ultra Violet and our flagship TriColour RGB colour mixing technology.
- Single Colour High Brightness models provide extra-high electrical efficiency and luminous output at an economical price.
- Available free standing with optional bracket, mounted in our Flush or AngleFlush fittings, or fitted with an Opal Polycarbonate Dome.
- Finished in Black, Silver or White as standard with custom colours available to order.

17 Watts	24V DC	IP66	1.2 kg 2.3 lbs	+50°C to -20°C	+122°F to -4°F
5 3W LEDs	100,000h Dynamic	25,000h Full On	3 LED Options	Custom Population	6 Lens Options
+10V Input	Smooth Dimming	Flicker Free	Thermal Management	Chroma Zone Driven	
Anodised Metalwork	Exterior Powder Paint	5m ChromaFlex	16.4' ChromaFlex		
UK Made	CE Marked	3 Year Guarantee			



Featured products: ChromaAR111 AngleFlush



### Pulsar Light of Cambridge Ltd

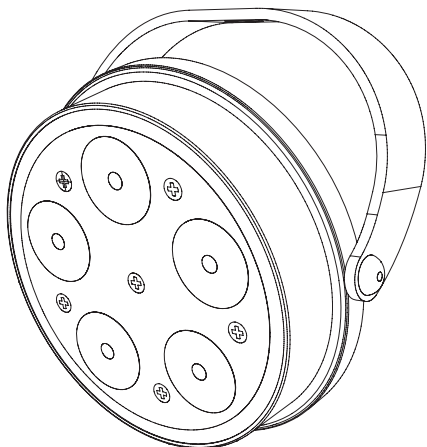
3 Coldhams Business Park, Norman Way, Cambridge CB1 3LH  
www.pulsarlight.com | sales@pulsarlight.com | +44 (0) 1223 403 500

CHROMAAR111 DATASHEET | 2  
ISSUE DATE | JUNE 2014

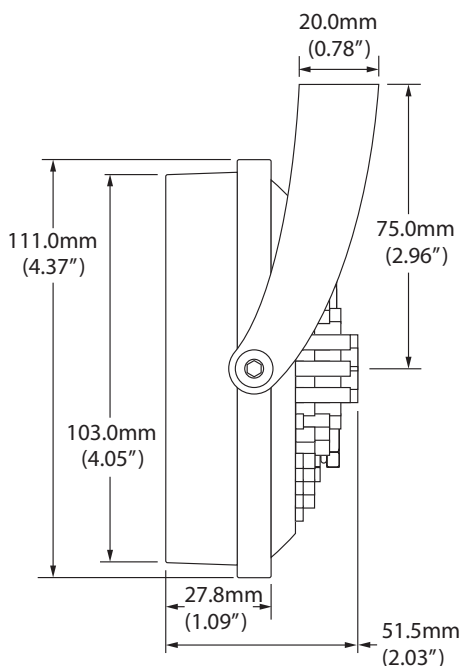
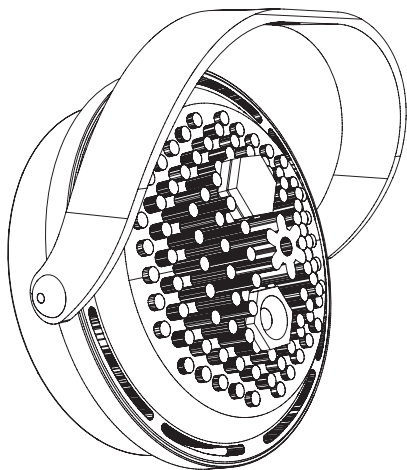
# PULSAR CHROMAAR111 RANGE DATASHEET



## CHROMAAR111



Shown with optional fixing bracket.



### ChromaAR111 Specification

The ChromaAR111 Luminaire has a choice of 3 LED type populations, from high efficiency single colour, our flagship TriColour technology RGB colour mixing LED devices and UltraViolet. The ChromaAR111 is ideal as a truss light, a spot for stage use or as an architectural feature fixture.

The ChromaAR111 utilises the latest LED technology to eliminate colour shadows and provides colour mixing from within the fixture.

Six beam angles are available, an optional bracket with matched styling allows the ChromaAR111T C to be used as a surface mounted fixture.

Single Colour and Ultra Violet LED Options are also available. With single colour providing maximum light output for a chosen single colour and the Ultra Violet model providing fully controllable UV light, many special effects can be created to suit a wide variety of applications.

### ChromaAR111TC Specification

**Power:** 520mA @ 24V DC. 17 Mains Watts via ChromaZone.

**Light Output:** 300 lumens with R,G,B @ 100%.

**Weight:** 0.83kg (1.8lb).

**IP Rating:** IP66

**Beam Angles:** 8, 25, 45, 10x35, 10x90 or 90deg (No Lens).

**Optics:** Light diffusion filter supplied.

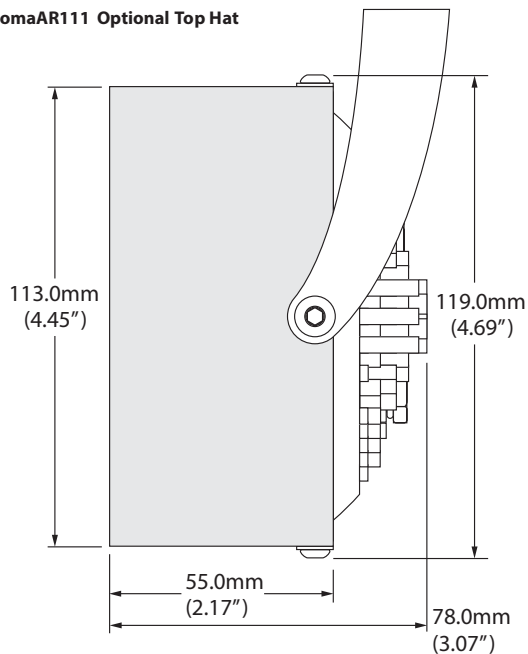
**Fixing Detail:** An optional fixing bracket is available as shown, this has a 11mm hole which allows fixing to a truss or wall.

**Connection:** 3m (10ft) of ChromaFlex terminated colour coded In-Line WAGO socket. Each ChromaAR111 is also supplied with a colour coded WAGO socket and plug to make an extension lead. An extra shroud set is also supplied to increase the strain relief of the extension lead joint.

**Colour and finish:** Black, Silver and White.

Custom colours may be available for special order - please contact Pulsar for details.

### ChromaAR111 Optional Top Hat



### OPTIONS

Product Code:	CAR111-FBT, ChromaAR111 CAR111TH-F ChromaAR111 Top Hat
F - Body Finish:	B=Black, [leave blank]=Silver, W=White
B - Beam Angle:	8, 25, 45, 90, 10x35, 10x90 (No Lens)
T - LED Type:	TC, SC, UV
Accessories:	TC / Bracket Kit, CAR111BK-F



Pulsar Light of Cambridge Ltd

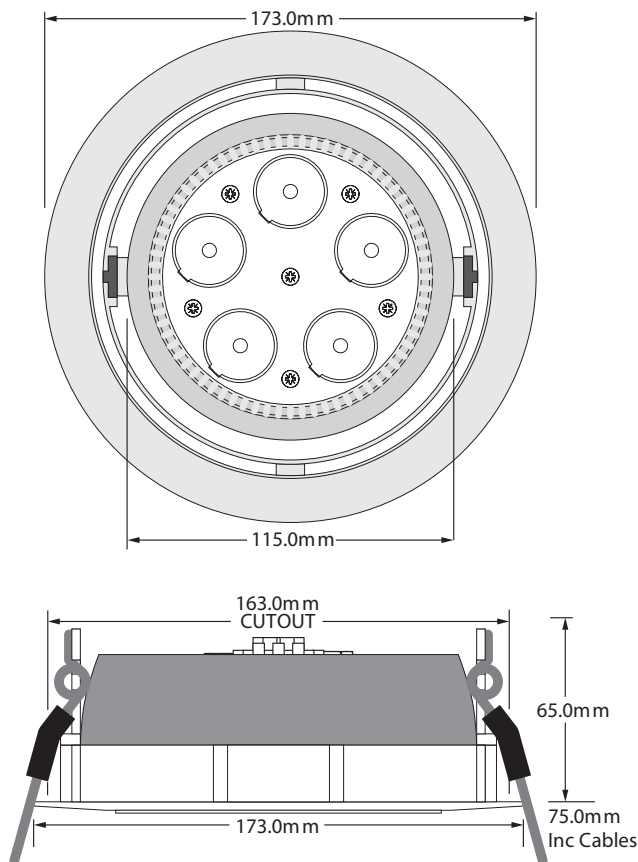
3 Coldhams Business Park, Norman Way, Cambridge CB1 3LH  
www.pulsarlight.com | sales@pulsarlight.com | +44 (0) 1223 403 500

CHROMAAR111 DATASHEET | 3  
ISSUE DATE | JUNE 2014

# PULSAR CHROMAAR111 RANGE DATASHEET



## CHROMA ANGLEFLUSH



### ChromaAR111 Angle Flush/Flush Specification

The ChromaAR111 Angle Flush/Flush utilises the Compact, low voltage, weather-proof ChromaAR111 luminaire. The latest TriColour LED technology to eliminate colour shadows and provides colour mixing from within the fixture.

5 x 3W TriColour Devices (5xR, 5xG, 5xB LEDs) are utilised to give 100% flicker free light output. Three LED Options are available, TriColour, Single colour and UltraViolet.

**Power:** 520mA @ 24V DC. 17 Mains Watts via ChromaZ one.

**Light Output:** 300 lumens with R,G,B @ 100%.

**Weight (Angle Flush):** 1.2kg (2.3lb)

**Weight (Flush):** 1.2kg (2.3lb)

**IP Rating:** IP66

**Beam Angles:** 8, 25, 45, 10x35, 10x90 or 90deg (No Lens).

**Optics:** Light diffusion filter supplied.

**Fixing Detail Angle Flush:** Cutout diameter: 163.0mm

**Fixing Detail Flush:** Cutout diameter: 130.0mm

**Connection:** 3m (10ft) of ChromaFlex terminated colour coded In-Line WAGO socket. Each ChromaAR111 is also supplied with a colour coded WAGO socket and plug to make an extension lead.

**Colour and finish:** White (AF On ly) Black, Silver.

### OPTIONS

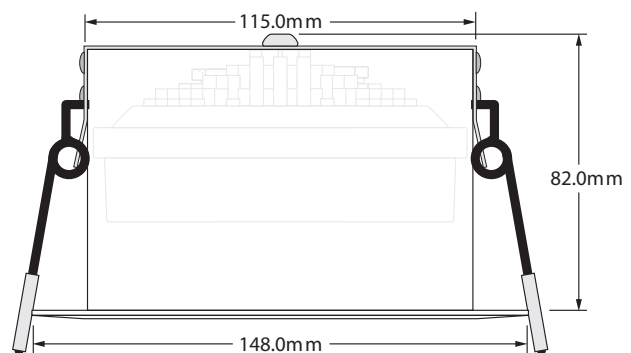
Product Code: CAR111AF-**FBT**, AngleFlush

**F** - Body Finish: B=Black, [leave blank]=Silver, W=White

**B** - Beam Angle: 8, 25, 45, 90, 10x35, 10x90, 90

**T** - LED Type: TC, SC, UV

## CHROMA FLUSH



### OPTIONS

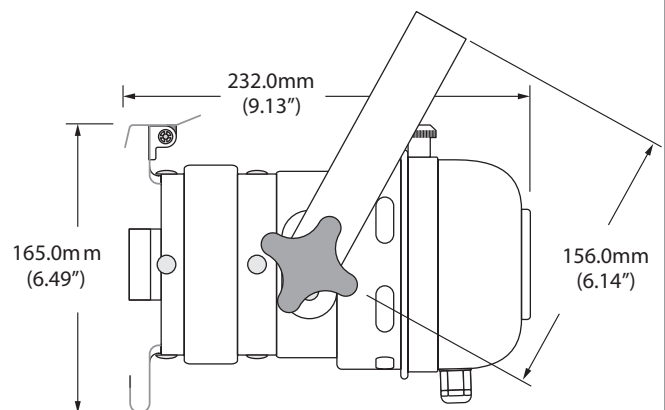
Product Code: CAR111F-**FBT**, Flush

**F** - Body Finish: B=Black, [leave blank]=Silver, W=White

**B** - Beam Angle: 8, 25, 45, 90, 10x35, 10x90

**T** - LED Type: TC, SC, UV

## CAR111 CAN



### ChromaAR111-PAR36Can Specification

The Aluminium PAR36 Can utilises the Compact, low voltage, weather-proof ChromaAR111 luminaire.

**Fixing Detail:** The fixing strap has a 13mm (0.51") diameter hole for use with up to an M12 bolt.

**Light Output:** 300 lumens with R,G,B @ 100%.

**Weight:** 1.6kg (3.5lbs) inc cable.

**IP Rating:** IP66.

**Connection:** 2.5m (8ft) of ChromaFlex 5 core cable terminated with an In-Line WAGO socket.

The ChromaPar36 Can is also supplied with a colour coded WAGO socket and plug for making extension leads and a shroud set (Pulsar part - 4456).

**Colours and finishes:** Natural Aluminium and Black Painted.

### OPTIONS

Product Code: CAR111CAN-**B8T C**, Black

CAR111CAN-**S8T C** Polished Aluminium



**Pulsar Light of Cambridge Ltd**

3 Coldhams Business Park, Norman Way, Cambridge CB1 3LH  
www.pulsarlight.com | sales@pulsarlight.com | +44 (0) 1223 403 500

CHROMAAR111 DATASHEET | 4  
ISSUE DATE | JUNE 2014